

# MSLR300 series ( Double pump )



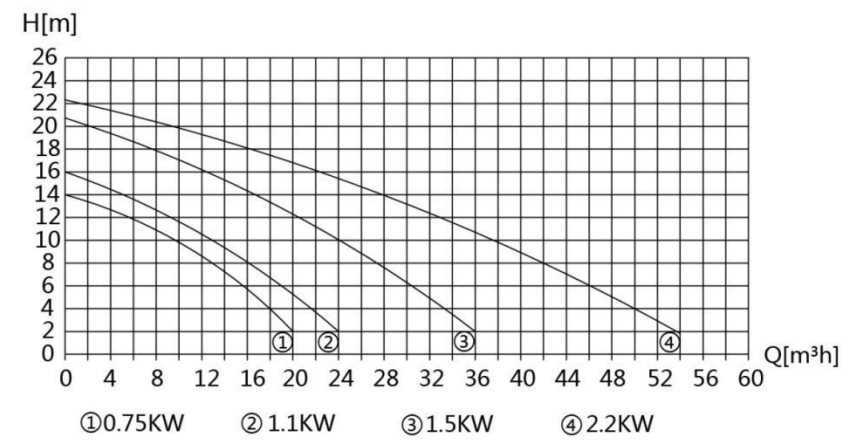
## Product description

MSLR 300 series sewage lifting equipment is suitable for collecting toilet, basin, shower, sewage basin, bathtub, etc. The waste water generated by washing machine is pumped to the main sewage pipe or outdoor sewage well. MSLR 300 series box body is about 300L corrosion resistant PE collecting bucket, and the full range of pre intake can meet the installation requirements in the foundation pit with different complicated water inflow requirements.

## Scope of application

It is suitable for clubs, hotels, Internet cafes, hospitals, parking lots, libraries, etc.

## Performance curve



## Performance parameter

- ※ Built in two cutting pumps
- ※ Corrosion resistant PE box
- ※ The box is equipped with anchor interface
- ※ Fully closed, no odor emission
- ※ Water pump coupling connection ,connection maintenance
- ※ Multiple water inlets, convenient connection
- ※ Built in stainless steel check valve
- ※ The box is equipped with anchor interface
- ※ The volume of the box is large
- ※ Supporting special full LCD control box



## Technical parameter

Model	The volume of the collecting tank is about(L)	Intake	outlet	Snorkel	Weight(kg)
MSLR300L075D	300	DN100	DN50	DN40	79
MSLR300L110D	300	DN100	DN50	DN40	81
MSLR300L150D	300	DN100	DN50	DN40	94
MSLR300L220D	300	DN100	DN50	DN40	99

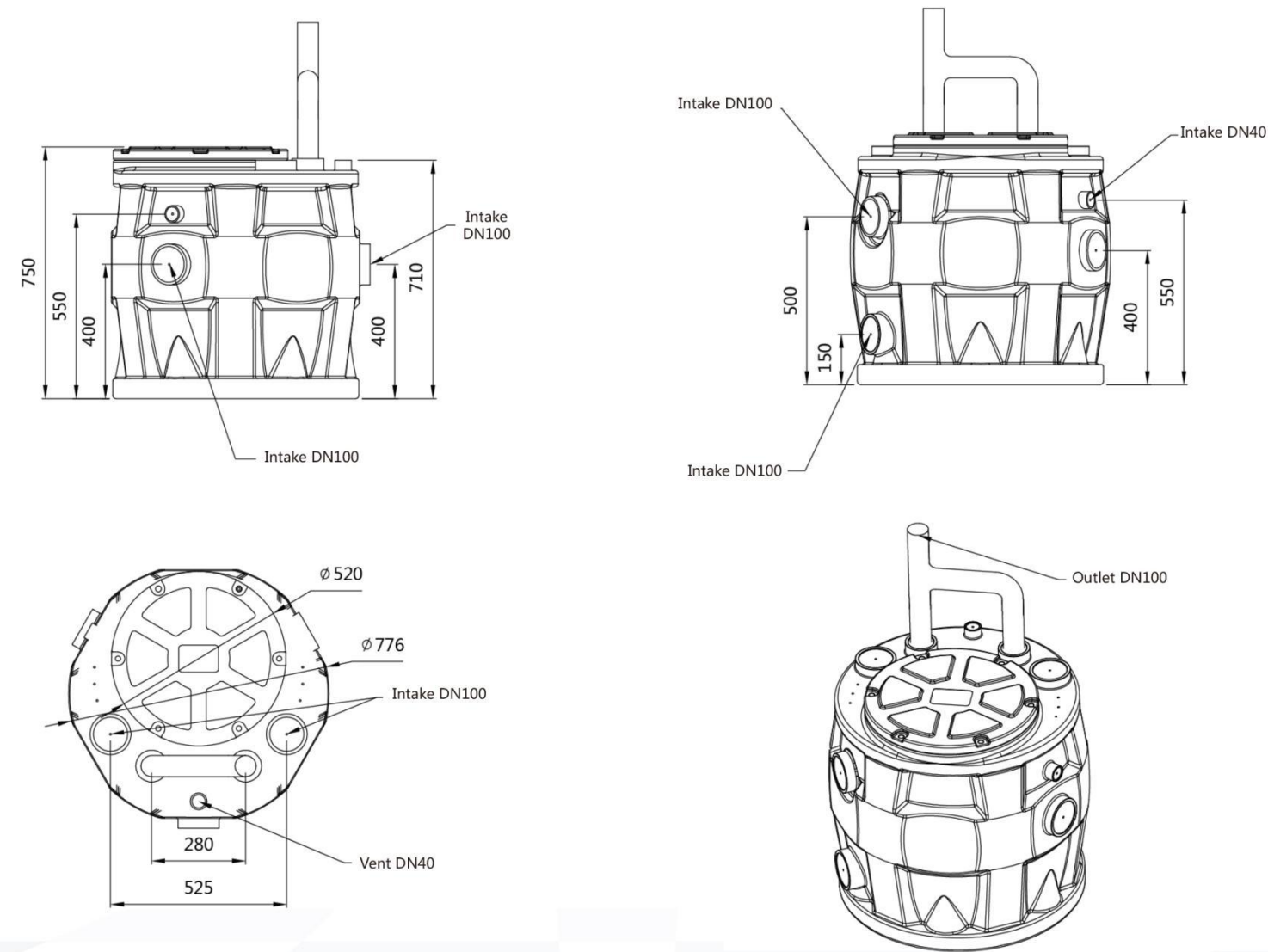
## Selection table

Model	Power (KW)	Voltage (V)	Current (A)	Outlet diameter	Lift (m)	2	4	6	8	10	12	14	16	18	20	22	24	
MSLR300L075D	0.75	220	5.2	DN50	Flow (m³/m)	20	18	16	14	10	6							
MSLR300L110D	1.1	220	6.6			24	22	20	18	15	10	5						
MSLR300L150D	1.5	220	7.6			36	32	30	28	24	21	17	13	8				
MSLR300L075D	0.75	380	1.9			20	18	16	14	10	6							
MSLR300L110D	1.1	380	2.6			24	22	20	18	15	10	5						
MSLR300L150D	1.5	380	3.2			36	32	30	28	24	21	17	13	8				
MSLR300L220D	2.2	380	5.8	56	53	50	46	41	35	28	21	15	8					

## Accessories list

Number	Description of accessories	Specification and size	Number	Remarks
1	controller	NK-1	1	Standard configuration
2	Ventilation flexible connection	DN40	1	Standard configuration
3	Soft connection of water inlet	DN100	1	Standard configuration
4	Water inlet stop valve	DN100	1	Matching
5	Water outlet stop valve	DN50	1	Matching
6	Water outlet stop valve of auxiliary pump	DN40	1	Matching
7	Auxiliary pump	/	1	Matching

## Equipment dimension drawing



## Installation diagram

